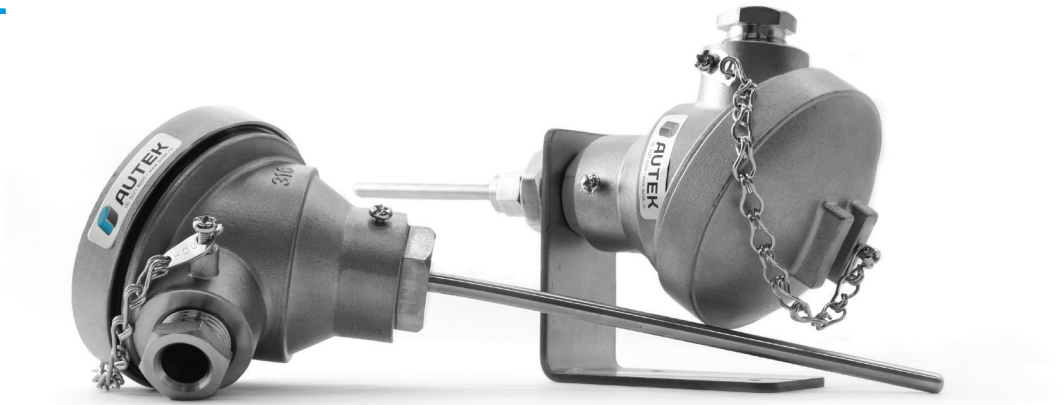


Platinum rtd Room/ HVAC Sensor

An Autek product



INSTRUMENTATION

Rev 1.03

Autek Platinum rtd Room/ HVAC Sensor

-designed and manufactured to meet strict industry standards, safety guidelines and user expectations

RTD's can be delivered with flying leads, a terminal block, or a 1/2-inch NPT spring-loaded adapter with union. Ordered with flying leads, the sensors are designed to be used with a head-mount temperature transmitter attached directly to the sensor.

3D drawing, frequency calculations according ASME PTC 19.3 TW-2010, PMI, Liquid Penetrant test and Pressure test are all standard documents for Autek RTD and thermowell assembly delivered to offshore projects.

Technical specification

- PT100 (IEC 751) class A or class B
- -50 to 400 °C or -200 to 600 °C depending on type
- Sensor with connection head or for head-mount temperature transmitter

Options

- Calibration certificate
- PT1000, PT500, thermocouple
- 2D or 3D drawing
- 3D STEP format
- System calibration with transmitter
- 4-wire, 3-wire, 2x3-wire

accurate measurement
perfected from design to manufacturing



DESIGN & ASSEMBLING



ENGINEERING

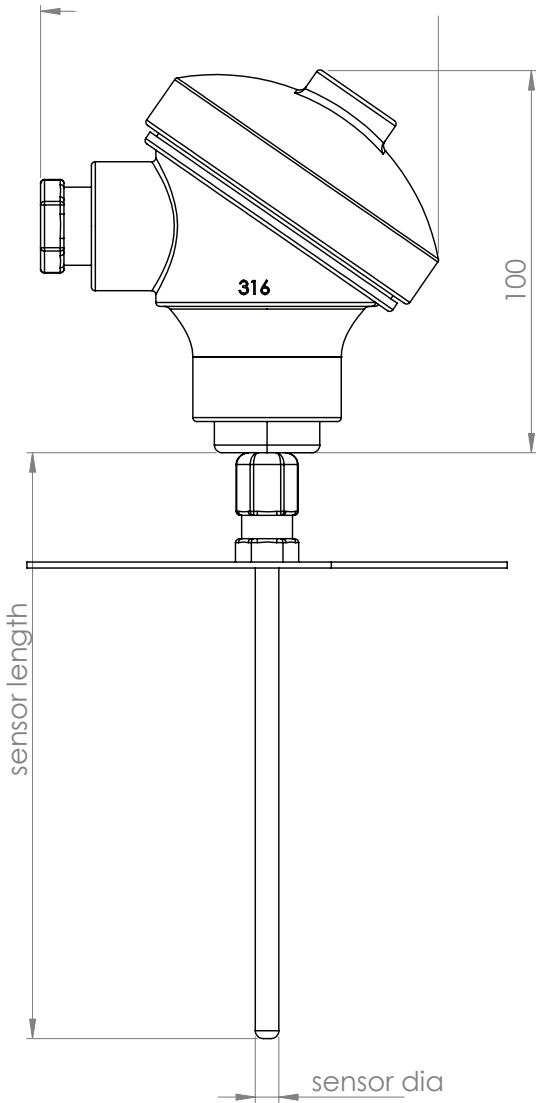
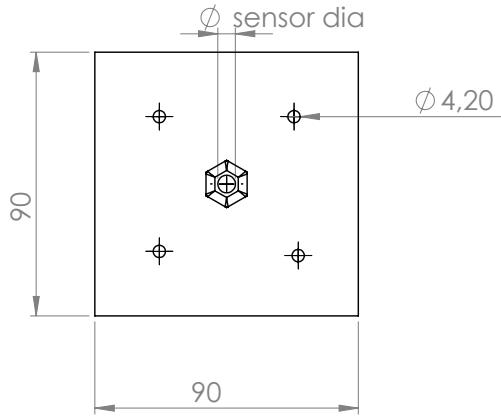


INSTRUMENTATION

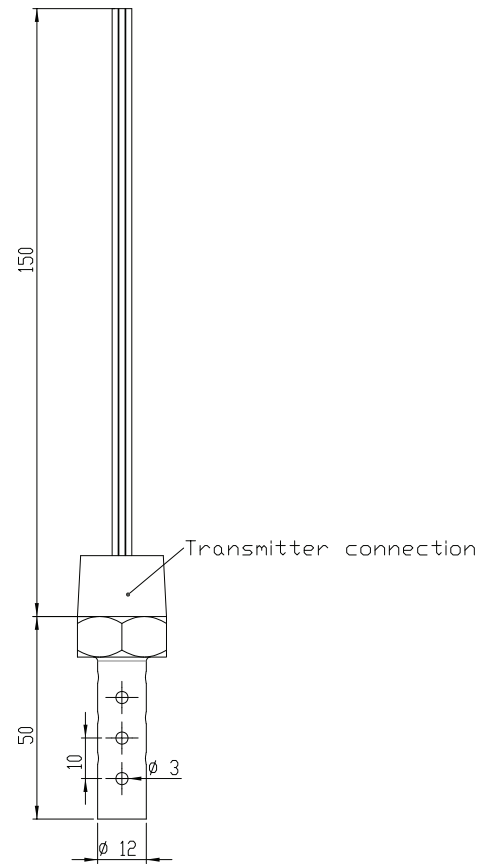
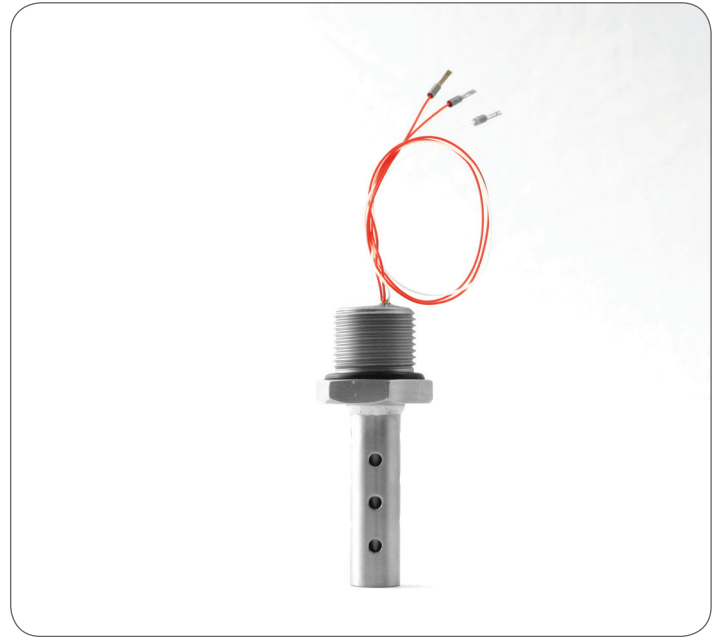


SERVICE

TECHNICAL DATA Autek Platinum rtd Room/ HVAC Sensor



Not to scale



ORDERING CODES Autek Platinum rtd Room/ HVAC Sensor

Code	Sensor type
MF	Platinum RTD
Code	Connection *1
3	3 wire Terminal Block
4	4 wire Terminal Block
Code	Connection Head
C-	Aluminum C
G-	Stainless Steel
N05-	Flying leads for Smart transmitter, 1/2" NPT
M20-	Flying leads for J7 enclosure, M20 threads
Code	Sensor Design
1K-	6mm sensor inside perforated AISI 316 tube
K-	Sensor in AISI 316
N05-	1/2" NPT Process connection
R05-	1/2" BSP Process connection
Code	Sensor length *2
XXXX	mm
Code	Sensor diameter *3
06	mm
XX	mm
Code	Material *4
SS-	AISI 316
X-	Other
Code	Element
1	1 element
2	2 elements
Code	Element class
AAB-	1/2" DIN Class A, Flatfilm PT100 -50/250°C
OPTIONS	
Code	Calibration *5
3P	3 point calibration
5P	5 point calibration
Code	Duct Mount Kit
F01-6MM-316	90x90mm 316 Duct mount kit

MF 3 M20- 1K- 0050- 06 SS- 1 AAB

Example code

*** Notes:**

1. Flying leads for direct mount transmitter
2. Specify in millimeter
3. 6 mm standard diameter. Other diameter on request
4. AISI 316 standard. Other materials on request
5. Specify temperature range and calibration points in description

We adjust our products to fit your needs. Contact us for a full list of materials and customization options.

Our Expertise

Since Autek AS was founded in 1986 we have been providing the best possible service and instrumentation to the oil and gas industry. Our extensive experience and close cooperation with our customers, ensures an accurate understanding of their individual needs. Through nearly 30 years, our strategies and high level of expertise have proven to exceed the expectation and meet the requirements set by the onshore and offshore industry. Autek is ISO 9001:2008 certified and qualified by Achilles.



DESIGN & ASSEMBLING

3D design of instruments, systems and complete instrument enclosures to customers specifications



INSTRUMENTATION

Leading provider of instrumentation for the energy industry. Custody-Transfer flowmeters



ENGINEERING

Flow calculations, wake frequency calculations, documentation and complete instrument packages



SERVICE

Offshore certified engineers available for assistance and maintenance on general instrumentation and fiscal ultrasonic flowmeters