

Autek Platinum rtd for Thermowell



INSTRUMENTATION

Rev 1.05

Autek

Platinum rtd for Thermowell

-designed and manufactured to meet strict industry standards, safety guidelines and user expectations

RTD's can be delivered with flying leads, a terminal block, or a 1/2-inch NPT spring-loaded adapter with union. Ordered with flying leads, the sensors are designed to be used with a head-mount temperature transmitter attached directly to the sensor.

3D drawing, frequency calculations according ASME PTC 19.3 TW-2010, PMI, Liquid Penetrant test and Pressure test are all standard documents for Autek RTD and thermowell assembly delivered to offshore projects.

Technical specification

- PT100 (IEC 751) class A or class B
- -50 to 400 °C or -200 to 600 °C depending on type
- 150mm extension with union. Other on request.
- Sensor with connection head or for head-mount temperature transmitter

Options

- Calibration certificate
- PT1000, PT500, thermocouple
- 2D or 3D drawing
- 3D STEP format
- System calibration with transmitter
- 4-wire, 3-wire, 2x3-wire

accurate metering
perfected from design to manufacturing



DESIGN & ASSEMBLING



ENGINEERING



INSTRUMENTATION



SERVICE

ORDERING CODES

Autek Platinum rtd for Thermowell

Code		Sensor type	
PT		Platinum RTD / PT100	
Code		Wire configuration	
2		2 wire	4 4 wire
3		3 wire	
Code		Connection Head / transmitter configuration *1	
C-		Aluminum C type	644SS- Rosemount 644 Stainless steel
G-		Stainless Steel G type	644AL- Rosemount 644 Aluminium
N05-		1/2" NPT	M20- M20x1,5
Code		Type *2	
DIN-		DIN terminal block	MP- Mounting plate for transmitter
Code		Extension	
100-		100mm inc. union	150- 150mm inc. union
NA-		No extension	
Code		Thermowell connection	
R05-		1/2" BSP	Specify- Other
N05-		1/2" NPT	NA- Only sensor with connection head
Code		Sensor length *3	
XXXX-		mm	
Code		Sensor diameter *4	
06		mm	XX mm
Code		Material	
SS-		AISI 316	Specify- Other
Code		Element	
1		1 element	2 2 elements
Code		Element class	
A		1/2 DIN Class A	B 1/1 DIN Class B
C		1/3 DIN Class AA	
Code		Element type	
AB		Flat film PT100 -50/250°C	CB Ceramic PT100 -200/600°C
BB		Ceramic PT100 -50/250°C	DB Flat film PT100 -196/150°C
Code		Calibration *7	
3P		3 point calibration	5P 5 point calibration

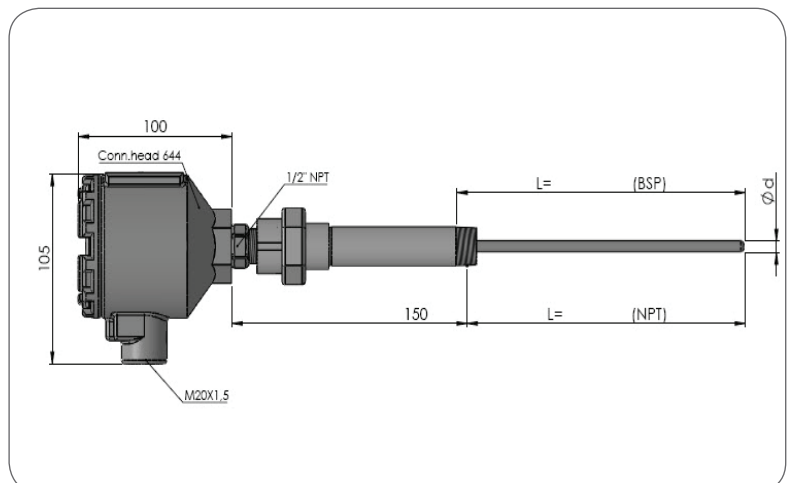
PT 4 644SS- DIN- 150- N05- 0270- 06 SS- 1 A AB XX

Example code for TW with total length 270mm

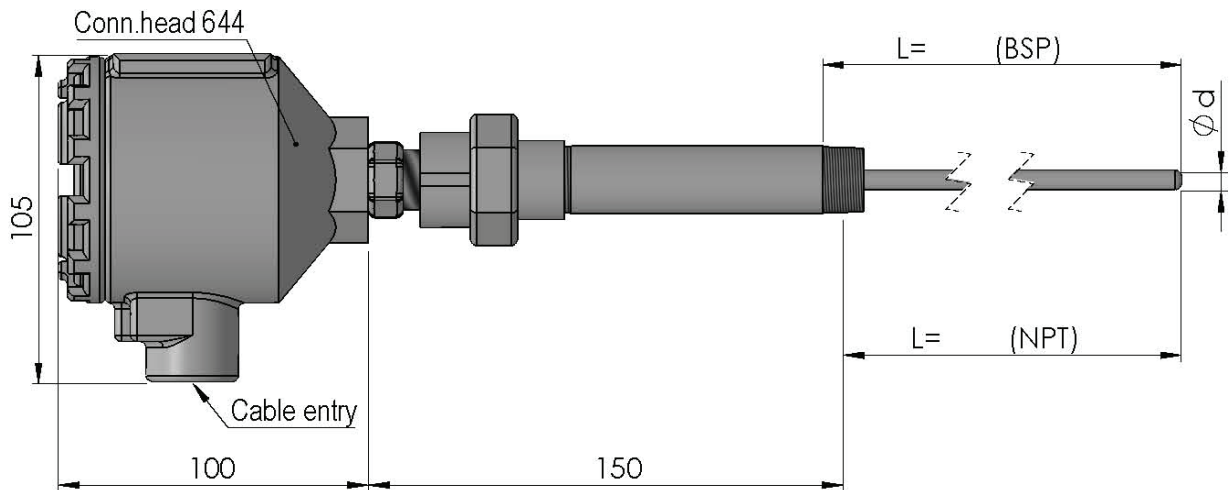
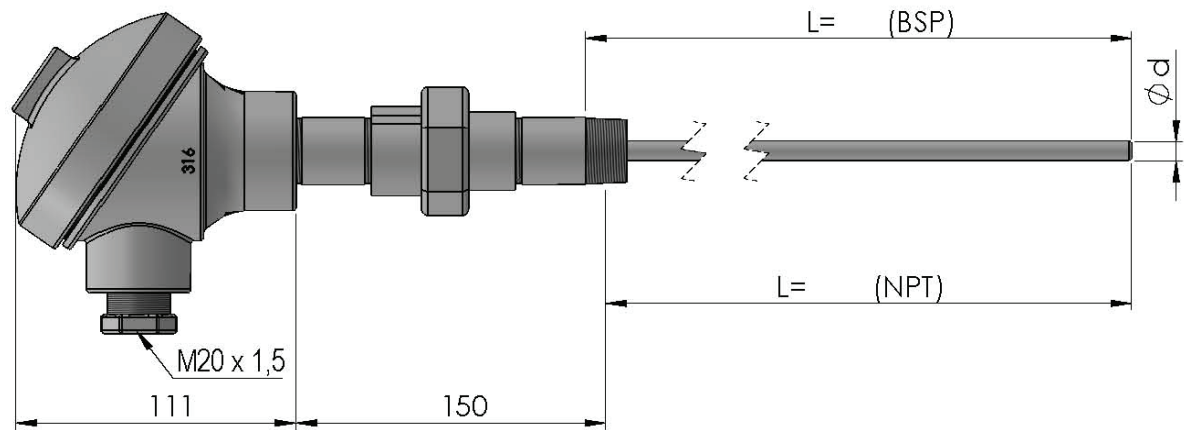
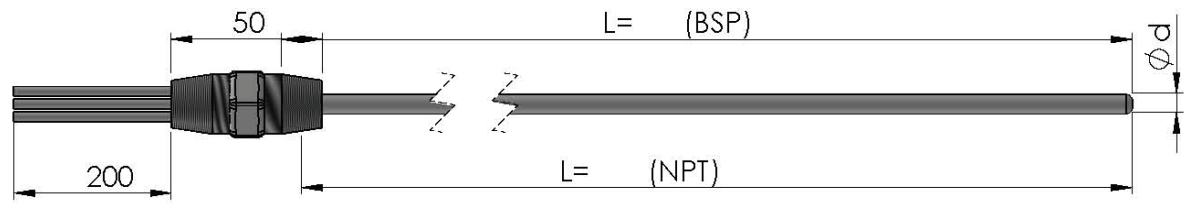
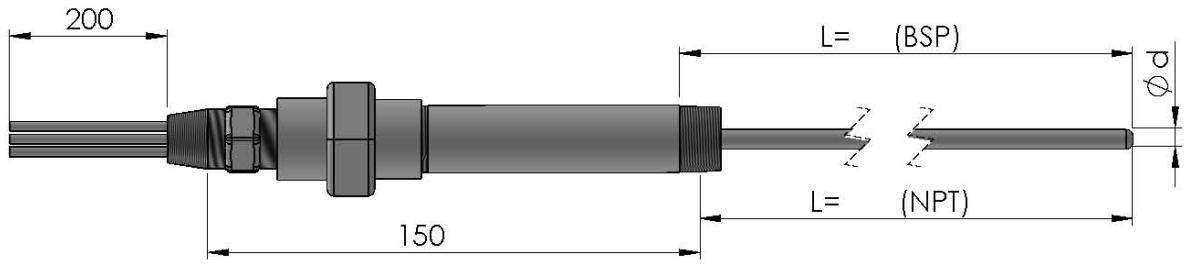
* Notes:

1. 200mm flying leads for direct mount transmitter
2. Not applicable for direct mount smart transmitter
3. Specify in millimeter, Thermowell total length.
4. 6 mm standard diameter, specify for other dimensions
5. Specify temperature range and calibration points in description

We adjust our products to fit your needs. Contact us for a full list of materials and customization options.



ORDERING CODES



Our Expertise

Since Autek AS was founded in 1986 we have been providing the best possible service and instrumentation to the oil and gas industry. Our extensive experience and close cooperation with our customers, ensures an accurate understanding of their individual needs. Through nearly 30 years, our strategies and high level of expertise have proven to exceed the expectation and meet the requirements set by the onshore and offshore industry. Autek is ISO 9001:2008 certified and qualified by Achilles.



DESIGN & ASSEMBLING

3D design of instruments, systems and complete instrument enclosures to customers specifications



INSTRUMENTATION

Leading provider of instrumentation for the energy industry. Custody-Transfer flowmeters



ENGINEERING

Flow calculations, wake frequency calculations, documentation and complete instrument packages



SERVICE

Offshore certified engineers available for assistance and maintenance on general instrumentation and fiscal ultrasonic flowmeters