



AUTEK
FLOW • PRESSURE • TEMPERATURE • LEVEL

Autek Nipoflange



INSTRUMENTATION

Rev 1.02

Autek Nipoflange for Thermowells

-designed and manufactured to meet strict industry standards, safety guidelines and user expectations

Benefits

- Short delivery time
- Manufactured to suit customers application
- Materials from NORSOK M650 approved suppliers
- NDT according NORSOK M601 and/or TR1826
- Design acc. TR2325- TW01
- Thermowell can be delivered with support collar to fit nipoflange 100%.

Options

- Exotic materials for demanding services
– Duplex, Super Duplex, Titanium, 6MO (M650)
- Material certificate, PMI report
- 2D or 3D drawing
- 3D STEP format



accurate measurement
perfected from design to manufacturing



DESIGN & ASSEMBLING



ENGINEERING



INSTRUMENTATION



SERVICE

Nippoflanges

Autek Nipoflanges meet all requirements according NORSOK and Statoil TR. Autek AS is certified according to ISO 9001:2008 and has procedures to meet customer’s requirement to offshore deliveries. Autek can supply the following items for a complete temperature measurement solution;

- Temperature sensor and transmitter
- Calibrated sensor or system calibration with transmitter
- NORSOK documentation according customer requirement

Design

- TR 2325 - PDS TW01

Flange Standards

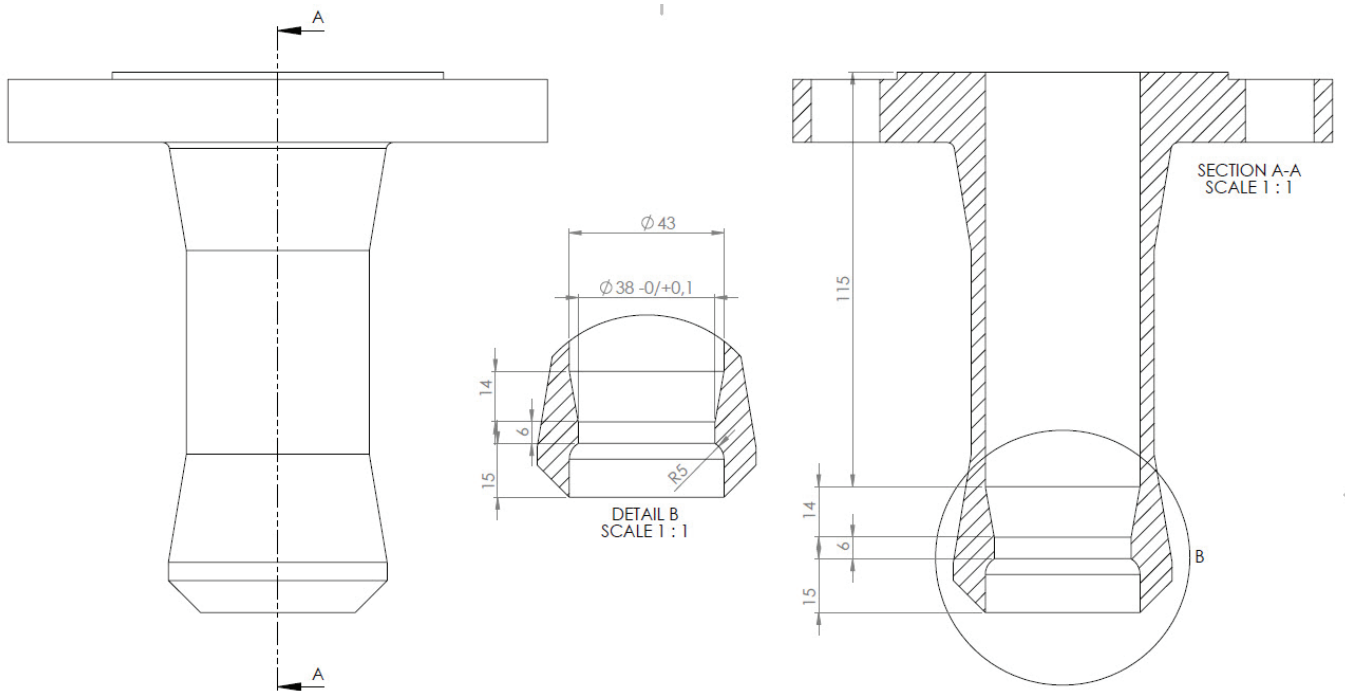
- ASME B16.5

Design Code

- TR2325 - PDS TW01

Painting

- NORSOK M501
- TR 0042
- Other on request



ORDERING CODES Autek Nipoflange

Code		Product			
NFTW-		Nippo flange-TW01			
Code		Size			
1,5		1,5"	2-	2"	
Code		Pressure class			
0150-		ANSI 150#	1500	ANSI 1500#	
0300-		ANSI 300#	2500-	ANSI 2500#	
0600-		ANSI 600#	4500-	ANSI 4500#	
Code		Flange facing			
RF		Raised Face	RJ	Ring type Joint	
Code		Inner diameter nozzle*1			
043		43 mm	XXX	Specify in mm	
Code		Material			
SS		F 316	SD	A182 F53 Super Suplex	
DX		A182 F51 Duplex	MO	A182 F44 6MO	
TI		Titanium Grade 2	Specify-	Other	

NFTW- 1,5- 1500- RJ- 043- DX

Example code

*** Notes:**

1. ID 43mm if not specified other by customer

We adjust our products to fit your needs. Contact us for a full list of materials and customization options.

Our Expertise

Since Autek AS was founded in 1986 we have been providing the best possible service and instrumentation to the oil and gas industry. Our extensive experience and close cooperation with our customers, ensures an accurate understanding of their individual needs. Through nearly 30 years, our strategies and high level of expertise have proven to exceed the expectation and meet the requirements set by the onshore and offshore industry. Autek is ISO 9001:2008 certified and qualified by Achilles.



DESIGN & ASSEMBLING

3D design of instruments, systems and complete instrument enclosures to customers specifications



INSTRUMENTATION

Leading provider of instrumentation for the energy industry. Custody-Transfer flowmeters



ENGINEERING

Flow calculations, wake frequency calculations, documentation and complete instrument packages



SERVICE

Offshore certified engineers available for assistance and maintenance on general instrumentation and fiscal ultrasonic flowmeters