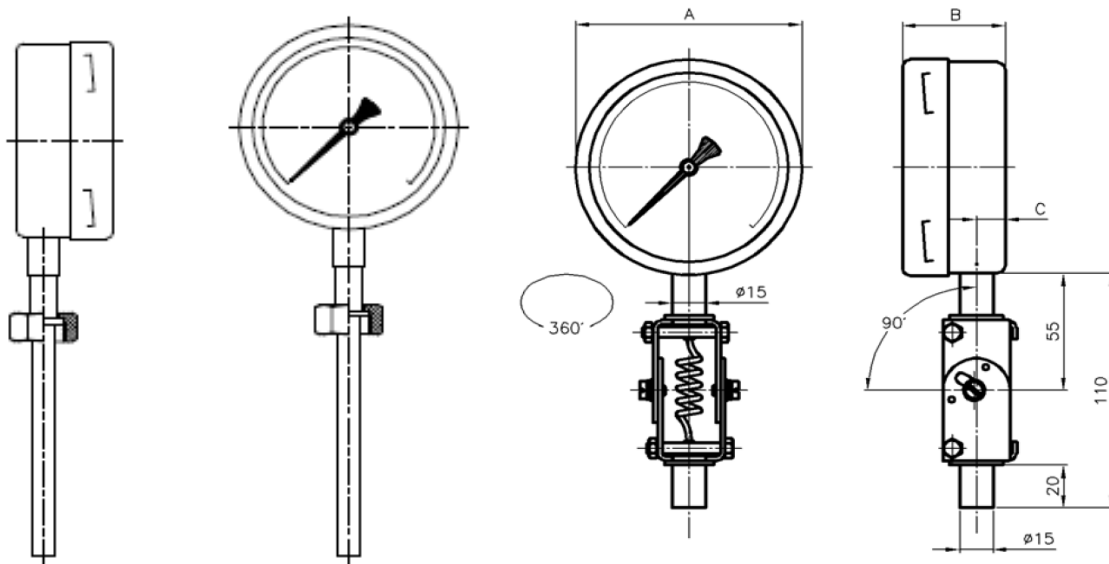


## THERMOMETER TYPE TXR

- Rigid stem thermometer provided with elbow to allow alignment of the gauge
- Every angle dial
- For direct mounting or with thermowell
- Rigid stem thermometers with gas filled system
- Temperature range from -200°C to + 800°C
- Case diameters: 63, 80, 90, 100, 115, 150, 160, 200 and 250 mm.
- Sensor diameter from 6mm
- Standard accuracy 1% x F.S / Class 1
- IP-65



### Technical specification

Housing: AISI 304/1.4301 or AISI 316  
 Window: mineral glass 4 mm  
 STEM - BULB : AISI321/1.4541  
 DIAL : aluminium, black figures on white  
 RANGES : from -200 upto +800°C  
 OVERLOAD : up to 30% F.S. (max 800°C)  
 ACCURACY : ±1% F.S. / class 1  
 MOVEMENT : brass

### Options

- 316 housing
- Glycerine filling
- 2D or 3D drawing
- 3D STEP format
- Calibration certificate
- Material certificate

## ORDERING CODES

	Code	Description	Note
Thermometer	TXR	Thermometer for direct mounting	
Diameter housing	063 080 100 160 250	Dia 63mm Dia 80mm Dia 100mm Dia 160mm Dia 250mm	direct mount transmitter
Liquid filling	X L	Without filling Liquid filling	Glycerine filling
Mounting	A E F	Down Back Wall mounting	Sensor out back
	+		
Knee joint	K360°	360°	
	-		
Measuring range	X/XXX	To be specified by customer	Standard range consult Autek
	-		
Sensor diameter	06 XX	mm mm	Standard diameter Specify in millimeter
Sensor length	XXX	mm	Specify in millimeter
	-		
Coupling	A B BL C CL A04 AL04 B01 CS 3	Plain stem Coupling nut (standard model) Coupling nut (long model) Fixed nipple (standard model) Fixed nipple (long model) Turning nipple (standard model) Turning nipple (long model) Coupling nut + double nipple Adjustable connection, sliding on stem	Type connection must be specified. Example: B01-1/2" NPT or B01-1/2" BSP

### Example:

**TXR100XE+K360-0/100-06-200-B01-1/2"NPT**

THERMOMETER EVERY ANGLE

Type: Gas

TXR100XE+K360: 100mm housing, Stem back. 360° Every Angle without filling

0/100: Range 0-100 °C

06: Stem diameter: 6 mm

200: Stem length 200 mm

B01: Coupling nut + double nipple (1/2"NPT)

Case and bezel: AISI 316

Window : Shatter proof glass